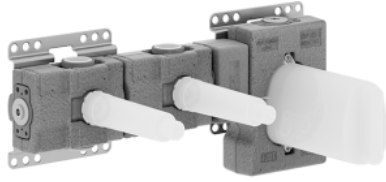




xTOOL Concealed thermostat module with 2 valves -

35 524 970 90



- red brass, lead-free
- 2x back flow preventer
- 2x female thread 3/4" connections
- 1x female thread 3/4" outlet for additional valves
- 2x female thread 3/4" outlet
- 4x dust cover
- 4x anti-water packing
- soundproofing
- gauge 120 mm
- suitable for xGRID (when using installation track + 12 mm recess depth)

Recommended miscellaneous

Extension 28 mm -

12 177 970 90



Recommended miscellaneous

Extension 46 mm -

12 178 970 90



Recommended miscellaneous

**xGRID Attachment set for
integrating in the dry wall
construction -**

12 340 970 90



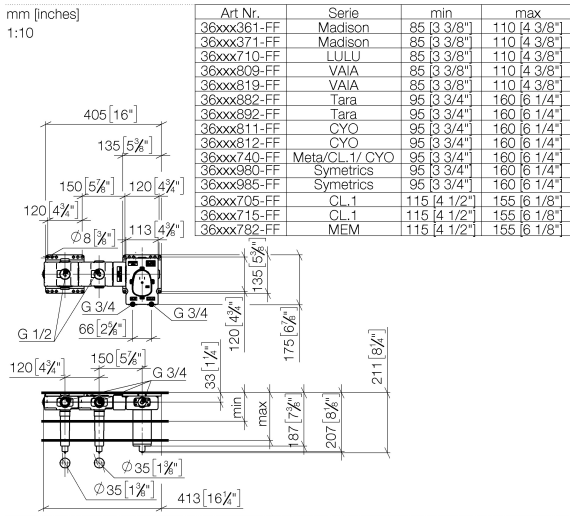
Required miscellaneous

xGRID Installation track 555 mm - 12 360 970 90



xTOOL Concealed thermostat module with 2 valves -

35 524 970 90

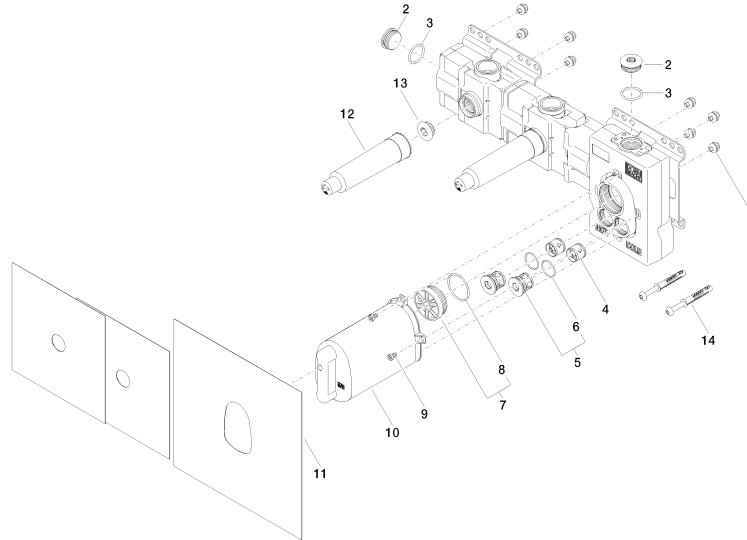


Certificates

Belgaqua_21-031- 27_6. WRAS_2011026. ACS_21 ACC LY 141. DVGW_DW-6512DN0706.

xTOOL Concealed thermostat module with 2 valves -

35 524 970 90



Spare parts list

No.	Item Number	Name	Quantity used	Delivery time
1	90 23 01 091 00 90	set	8	2
2	09 31 20 003 90	plug	4	2
3	09 14 10 009 90	seal	4	2
4	90 23 01 045 00 90	back-flow preventer	2	2
5	04 21 34 077 00 90	nipple	2	2
6	09 14 10 098 90	seal	2	2
7	04 31 20 100 00 90	plug	1	2
8	09 14 10 111 90	seal	1	2
9	09 30 30 112 90	screw	4	2
10	04 21 02 174 01 90	cap	1	2
11	04 14 03 073 06 90	gasket kit	1	2
12	09 21 02 173 90	cap	2	2
13	04 31 20 006 00 90	plug	2	2
14	04 30 31 054 00 90	fixing set	2	2